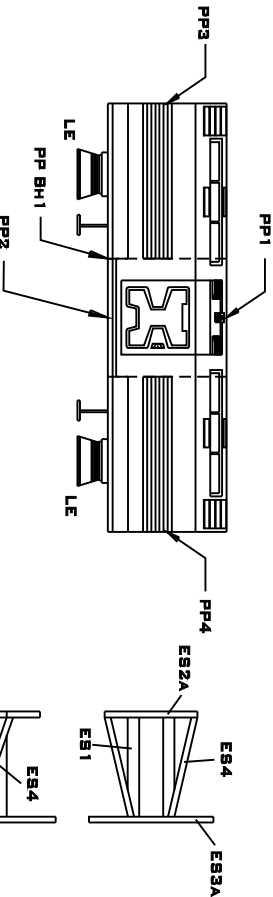
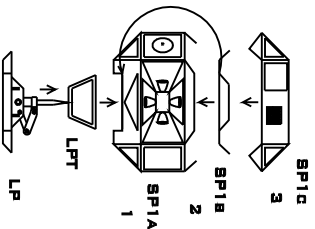
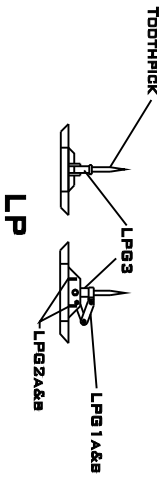
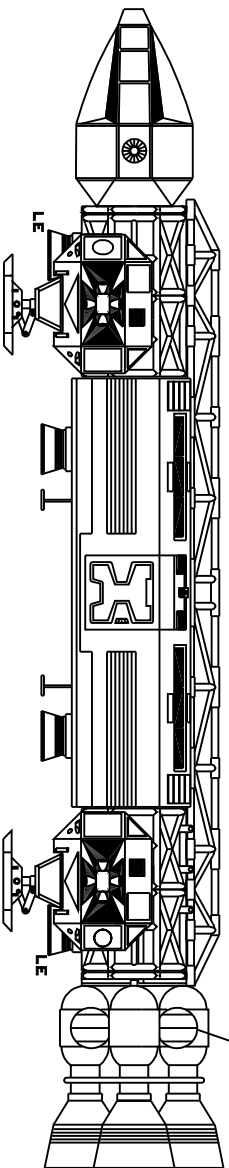
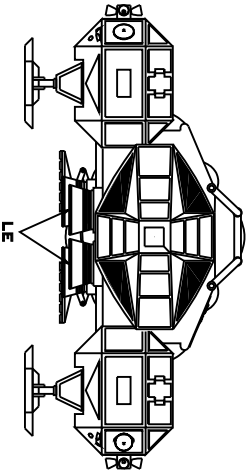
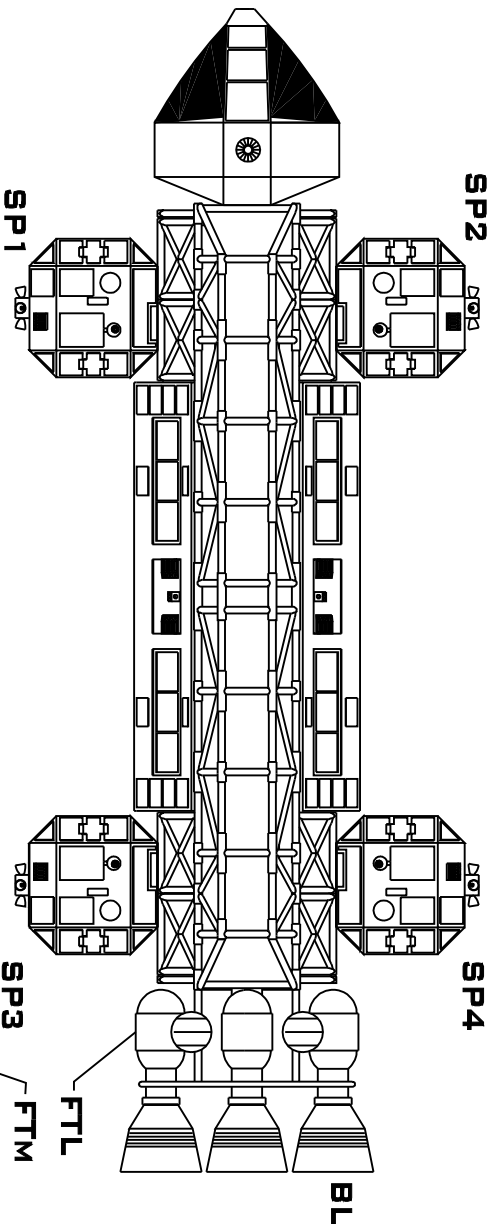
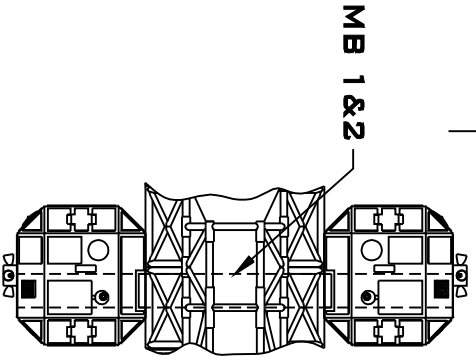
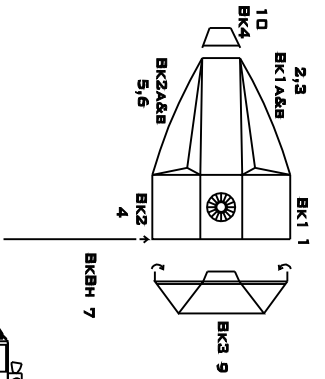
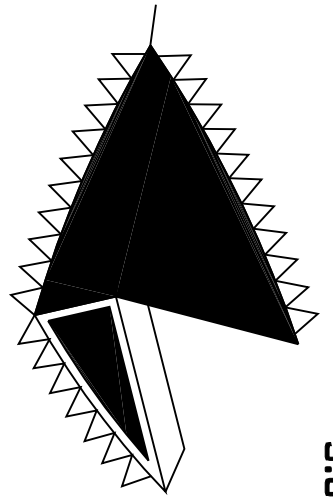
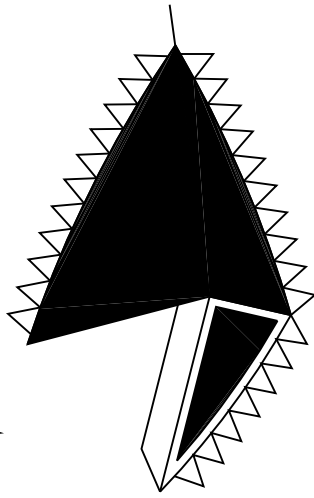
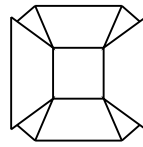


SPACE: 1999 EAGLE TRANSPORTER PAPER MODEL V 1.2

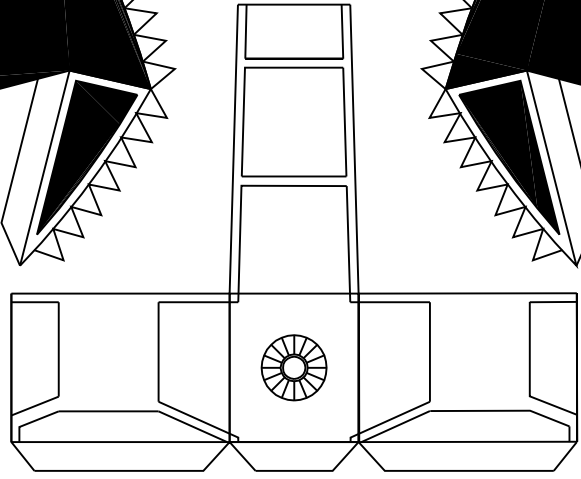




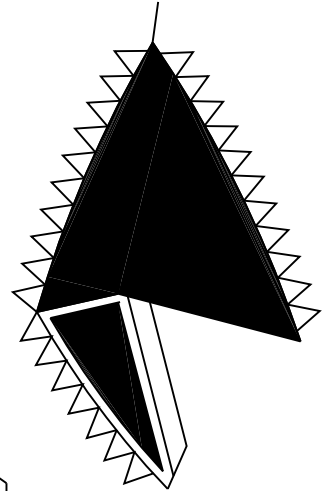
BK4



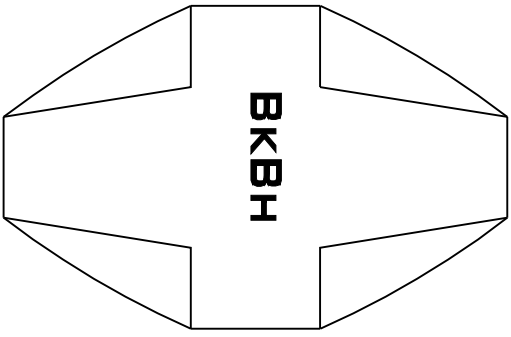
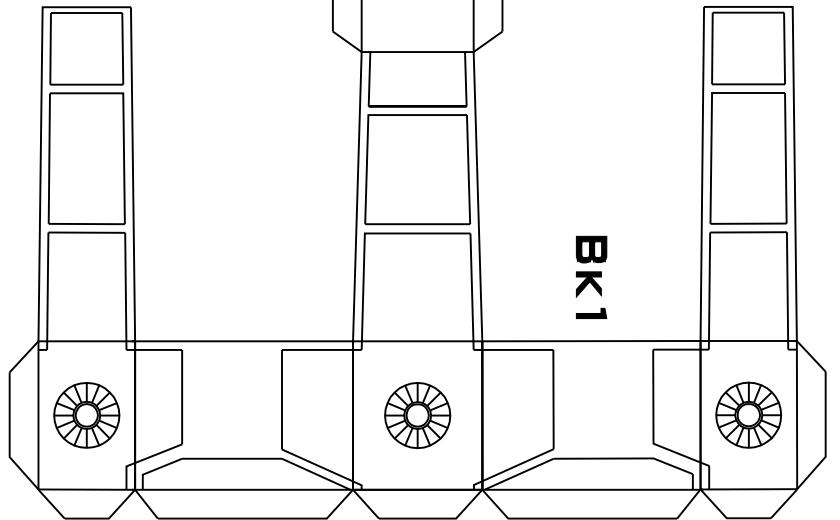
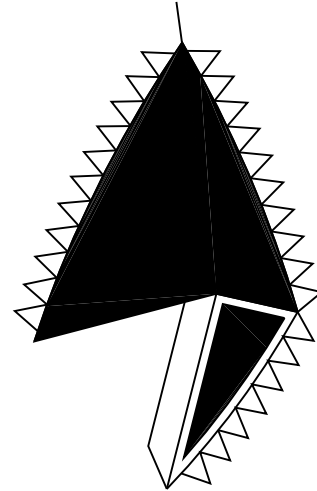
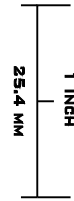
BK3



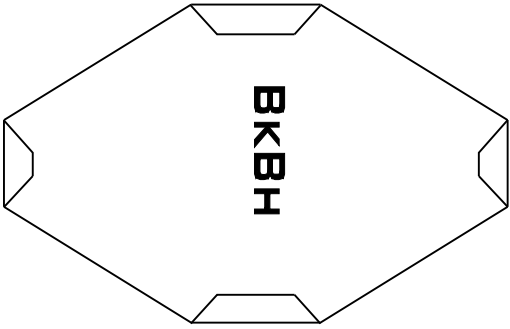
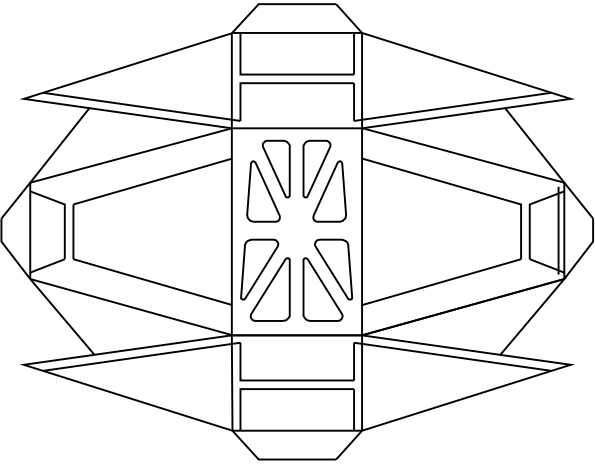
BK2



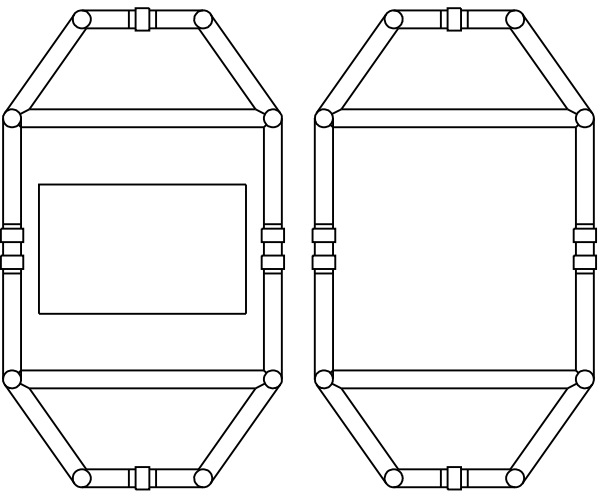
BK1



BKBH

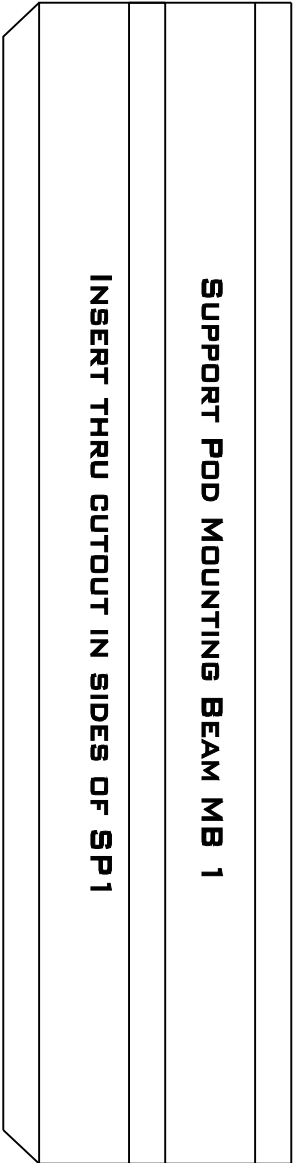
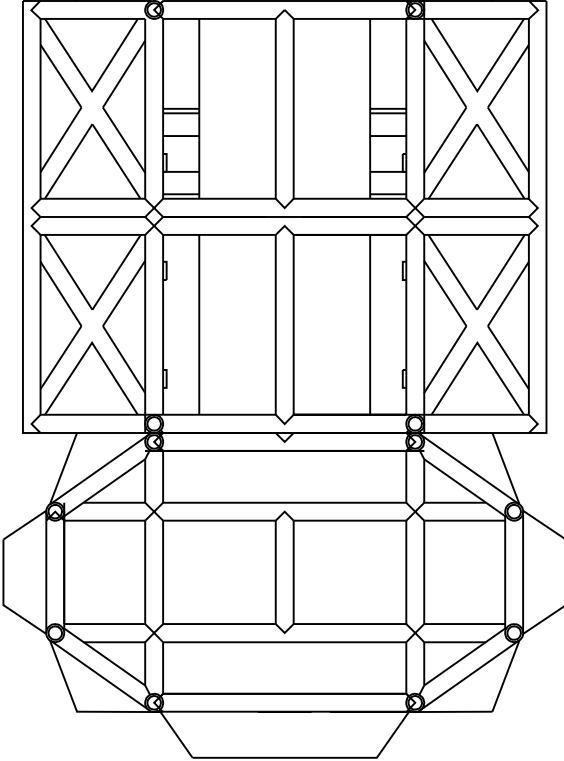
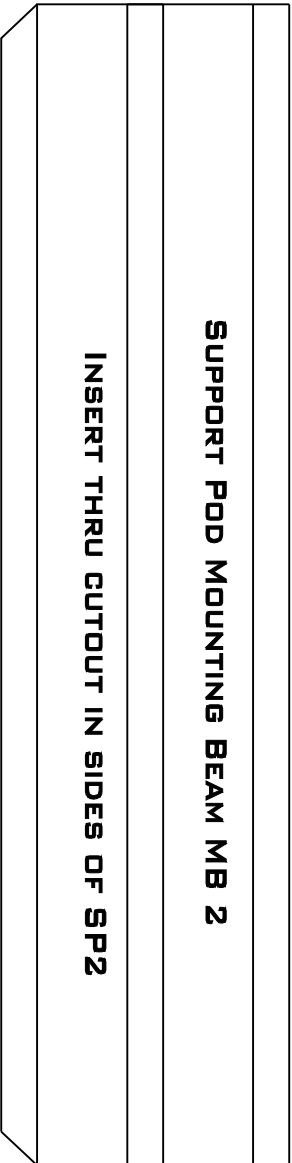
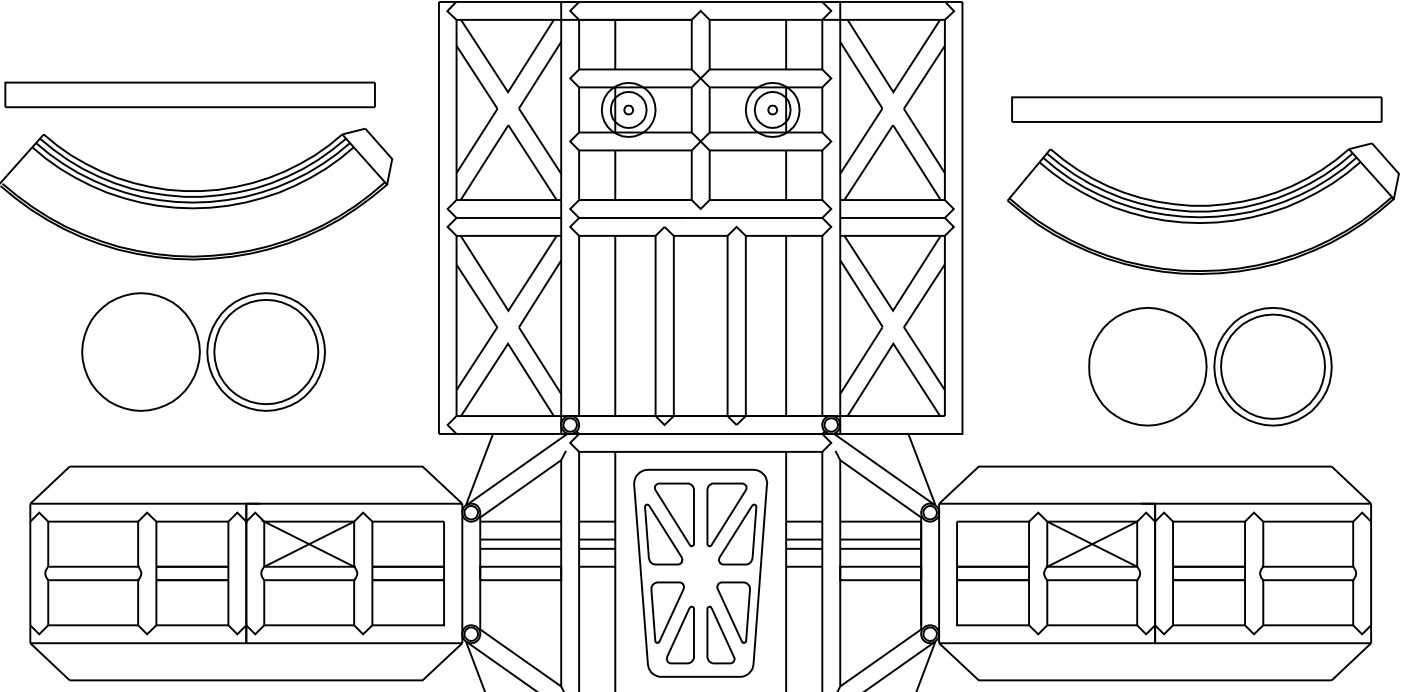


BKBH

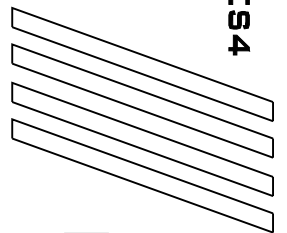


MBH (AFT)

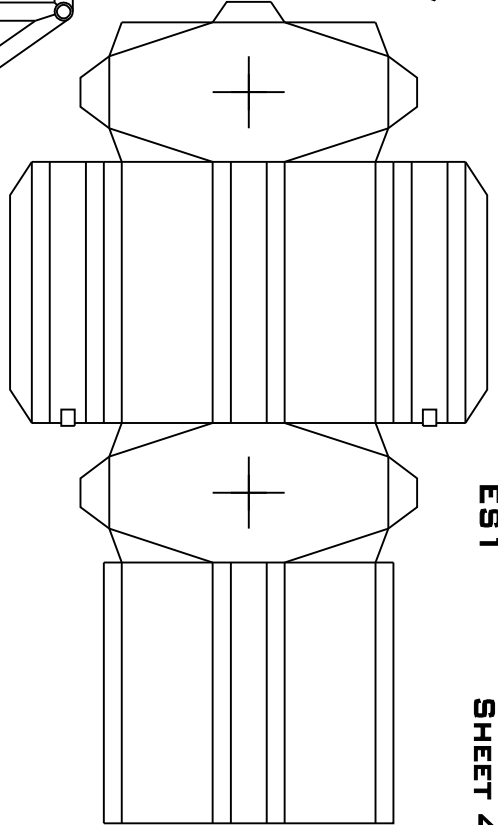
MBH (FOR)



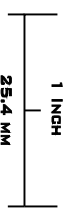
ES4



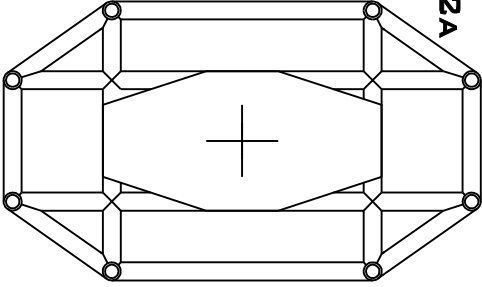
ES1



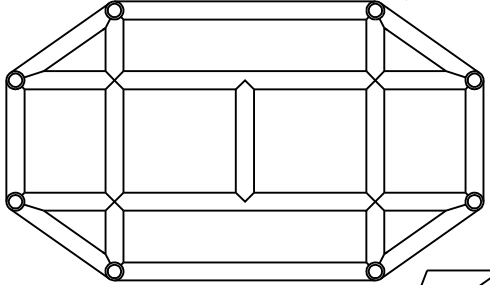
SHEET 4 OF 11



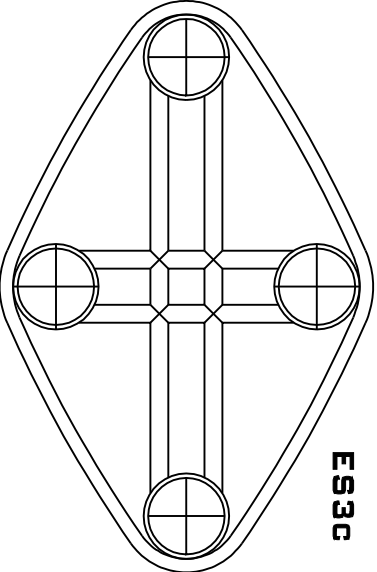
ES2A



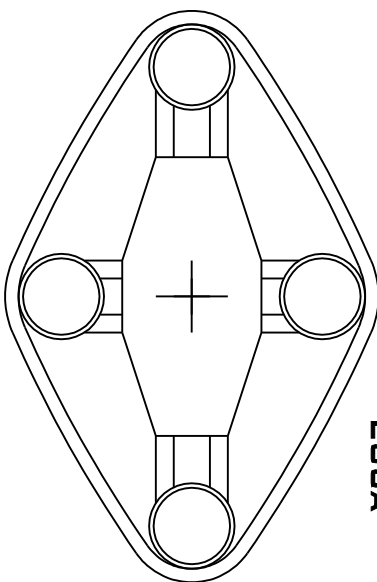
ES2C



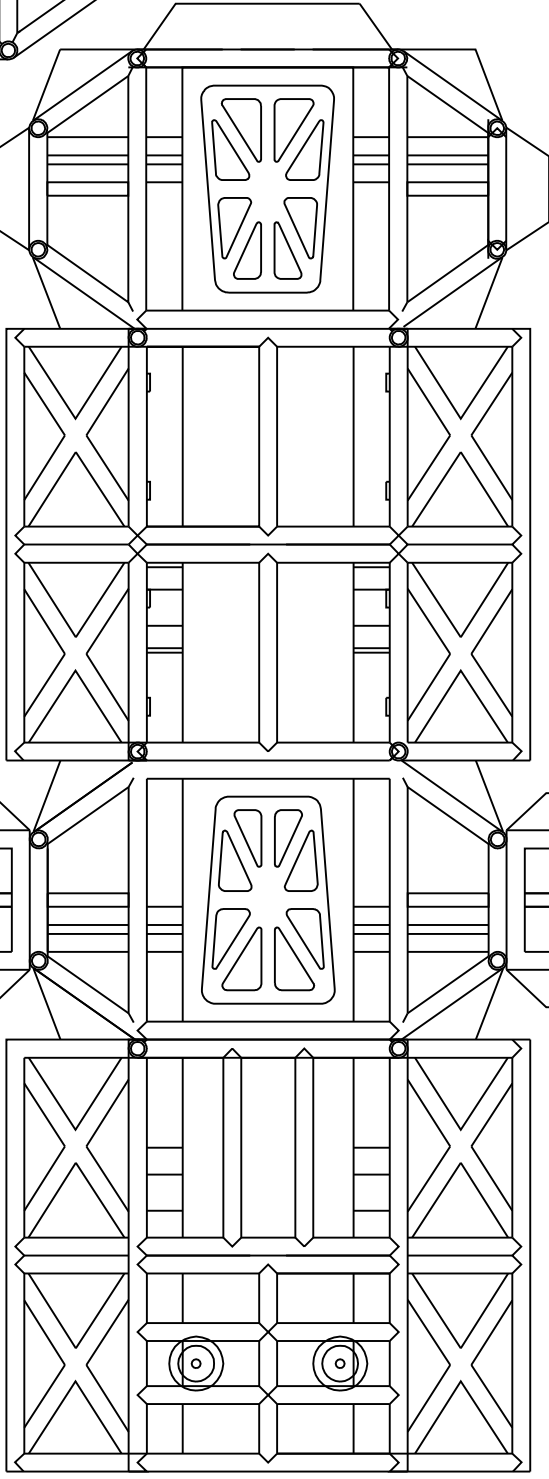
ES3C



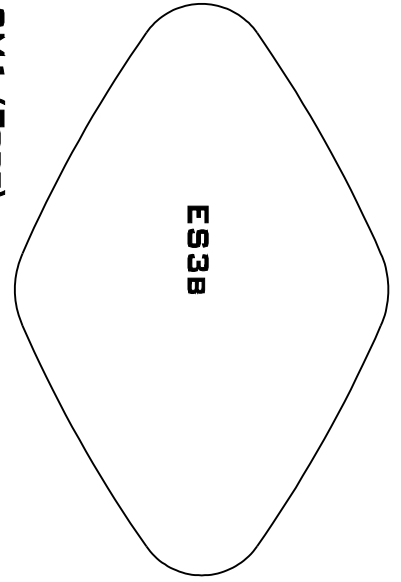
ES3A



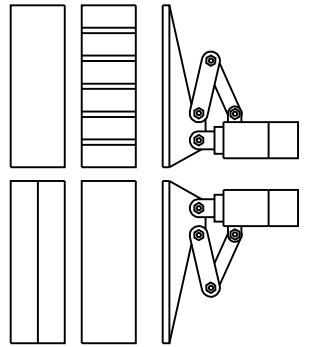
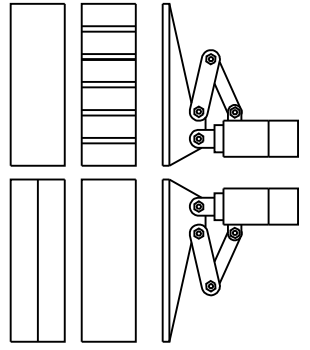
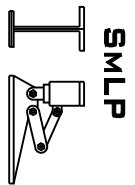
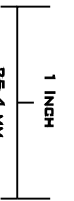
SM1 (FORE)



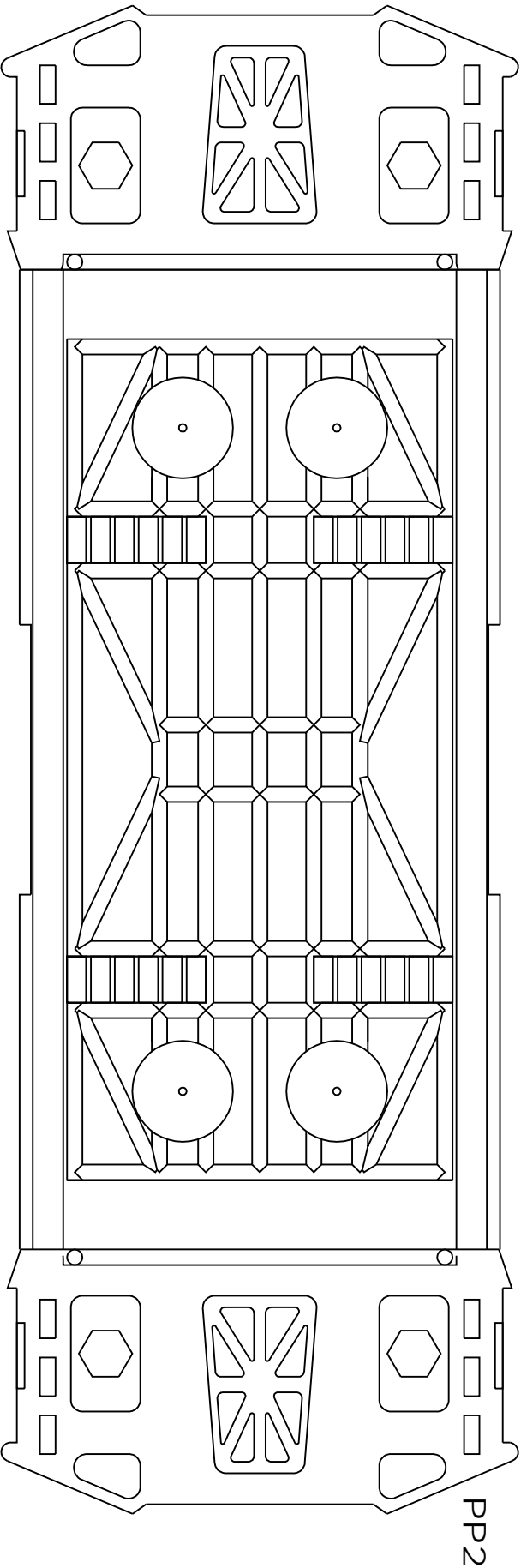
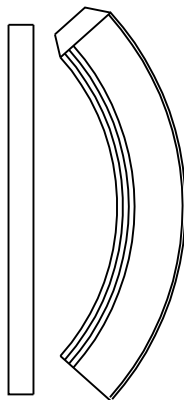
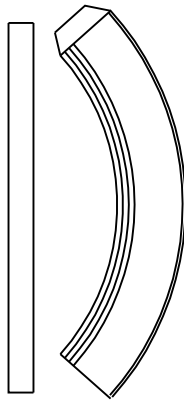
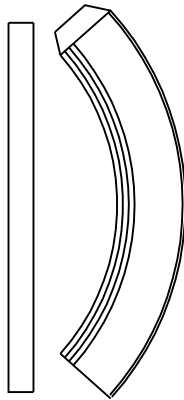
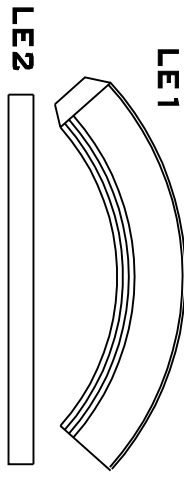
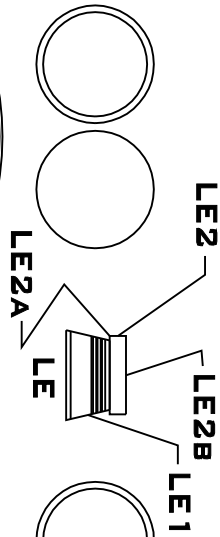
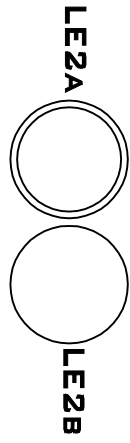
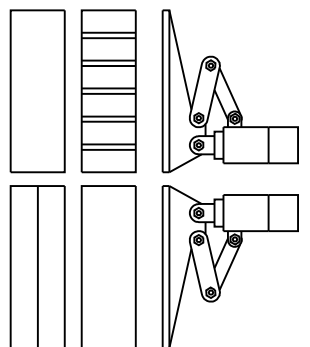
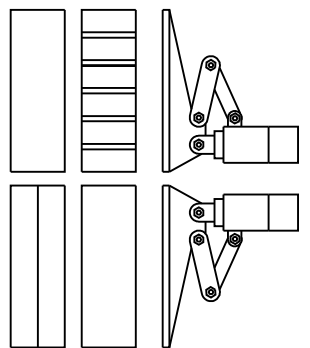
ES3B

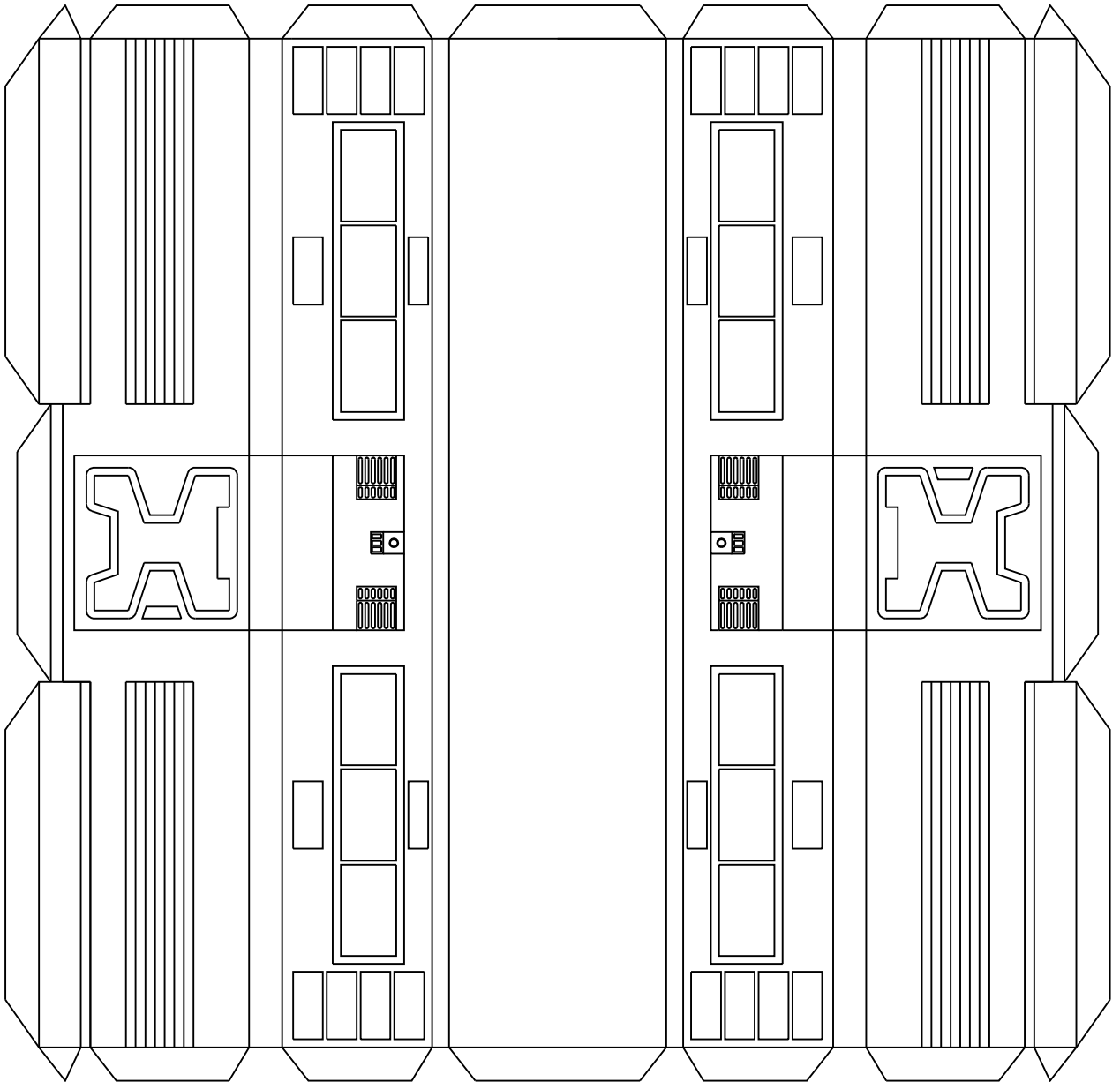


SMLP1&2

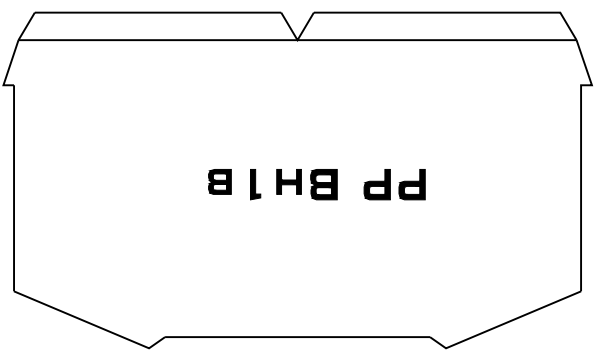
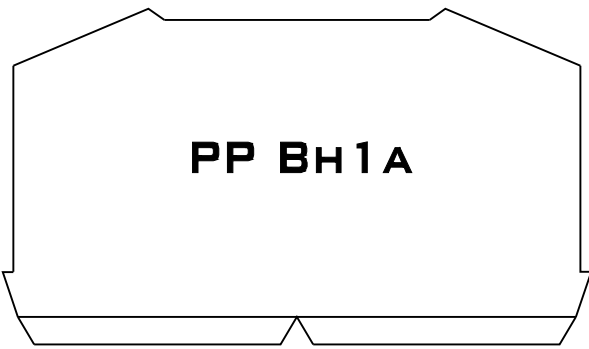
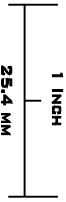


SMLP2A-D

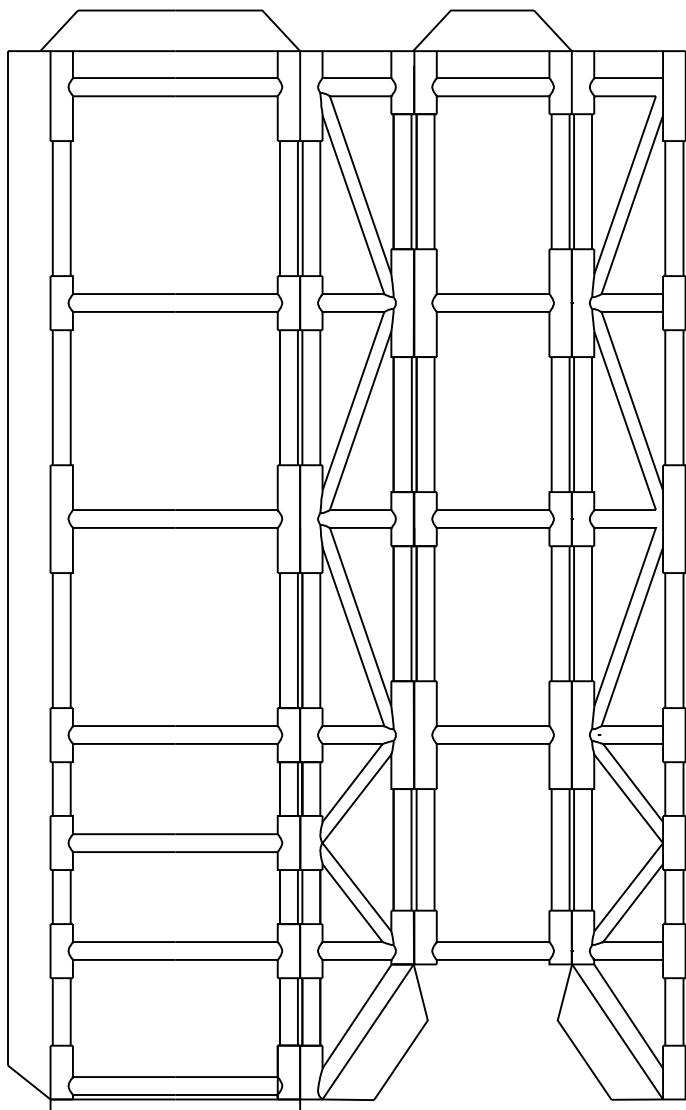




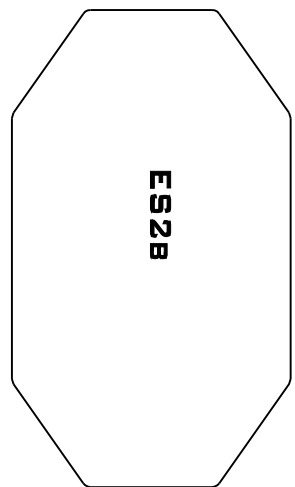
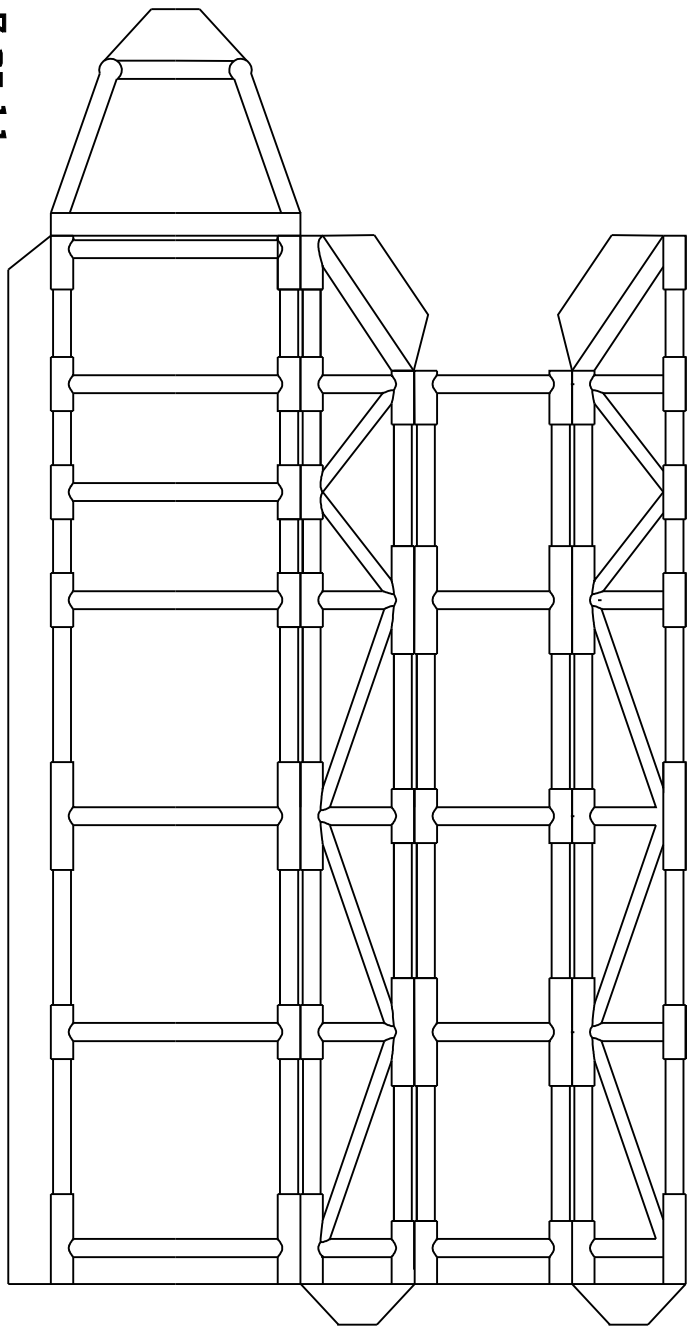
pp1



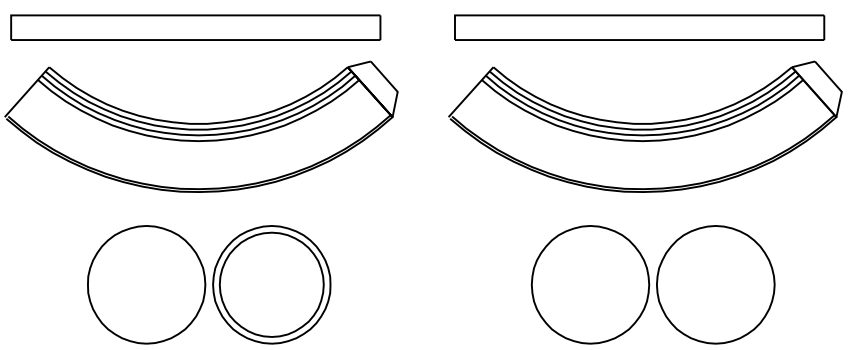
25.4 MM

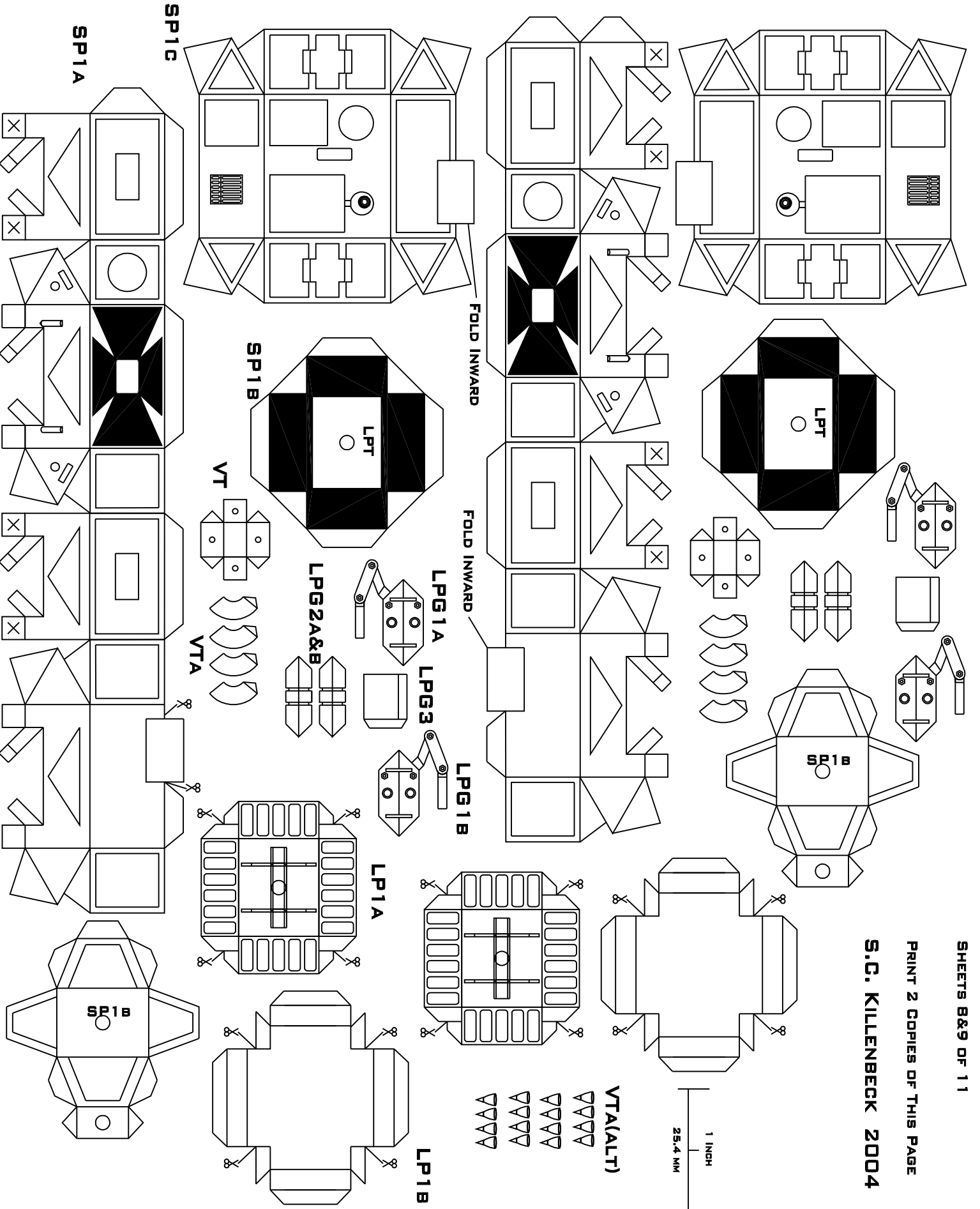


SPINE A&B

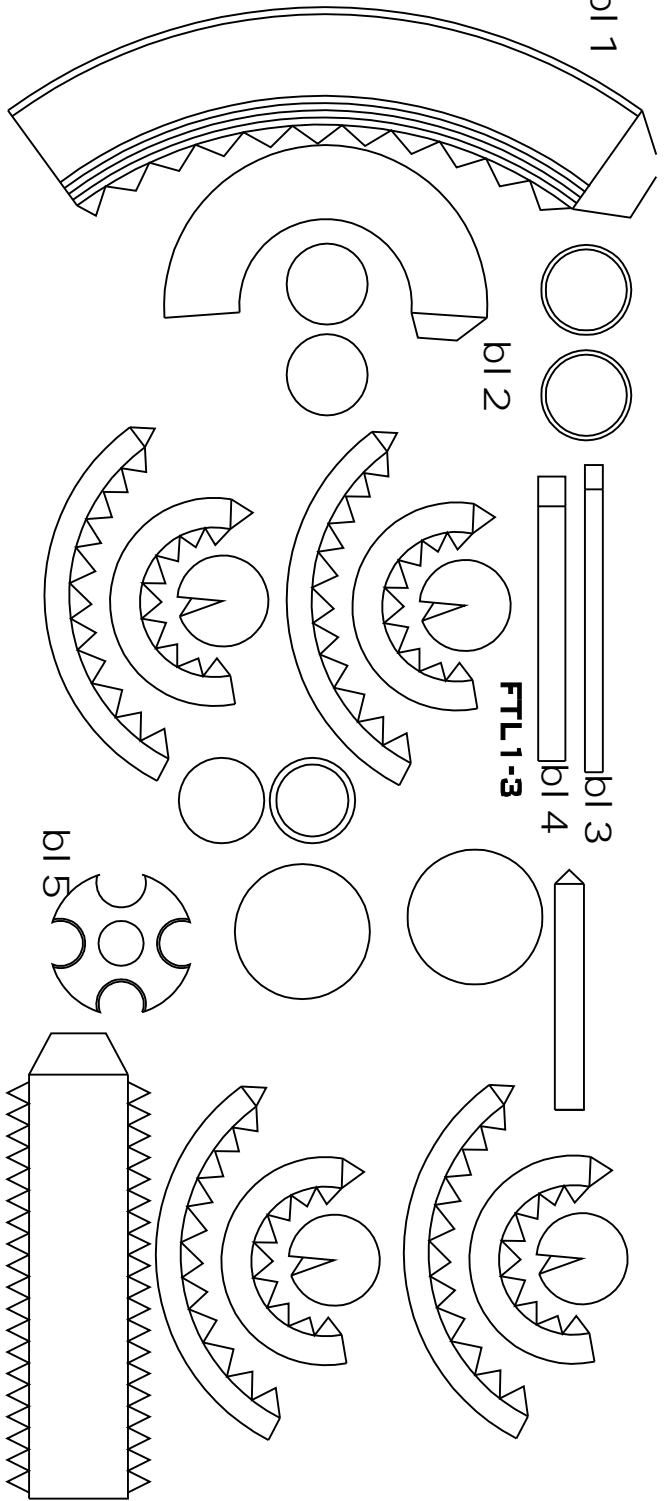


© S.C. KILLENBECK 2004





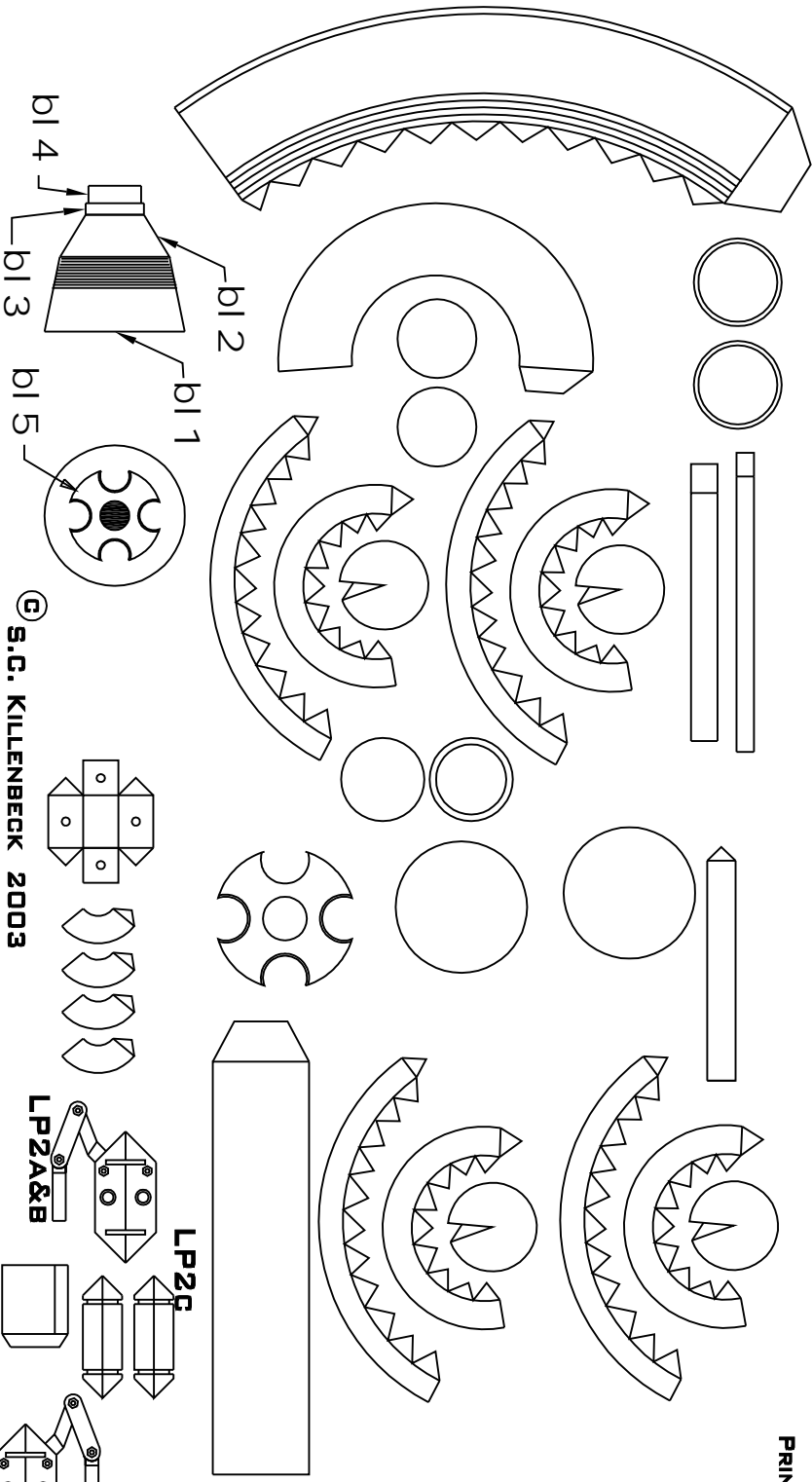
b1 1



FTL 1-3

PRINT 2 COPIES OF THIS PAGE

SHEET 10&11 OF 11



© S.G. KILLENBECK 2003

